

MULTIDROP CLASSIC (NORMAL / FAST)

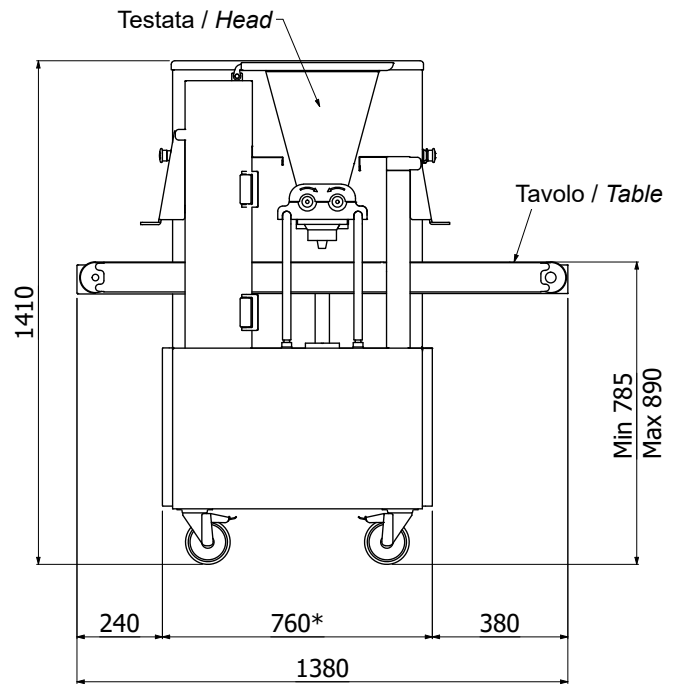
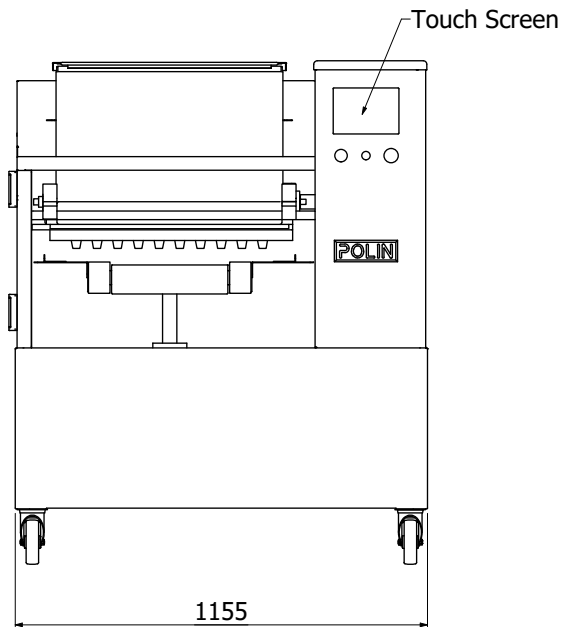


Multidrop is a multi-purpose depositor machine.

The 100 programs computer is suitable to create a huge range of biscuits, butter cookies, shortbread, lady fingers, genoise puff creams and many other products.

ALL MACHINES ARE EQUIPPED WITH:

- s/s frame and brake castors
- easily detachable table
- hard dough head hdd with stainless steel rollers, aluminum built-in head shoulders and plastic bushes
- head easy to disassemble and wash
- hard and soft dough heads are allowed to be fitted according with different kinds of products
- touch screen computer with capacitive graphic colour display tft 7" 800x480 pixel
- "CE" compliance certificate



	Trays size		Hopper capacity	Strokes				Tension	Power	Weight
	Width	Max. Length		Depositor		Wire cut				
				Normal	Fast	Normal	Fast			
mm	mm	l	n°/min.	n°/min.	n°/min.	n°/min.	Volt	kW	Kg	
CLASSIC 4046	400-460	800	35	20	26	30	35	400/3N~/50	1,6	320
CLASSIC 6066	600-660	800	50	20	26	30	35	400/3N~/50	1,6	320

Max strokes/min. related to average 1 sec. rollers head rotation